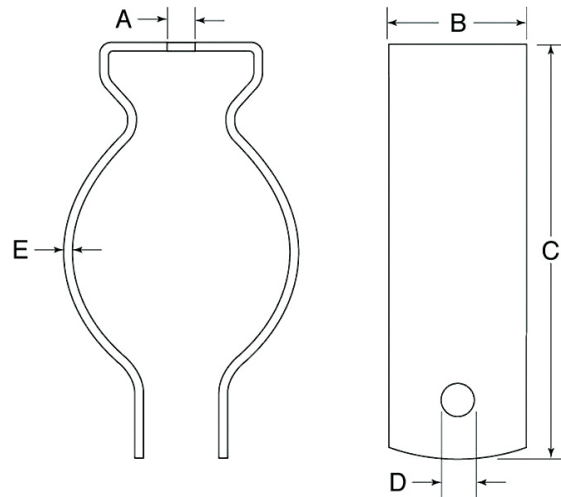
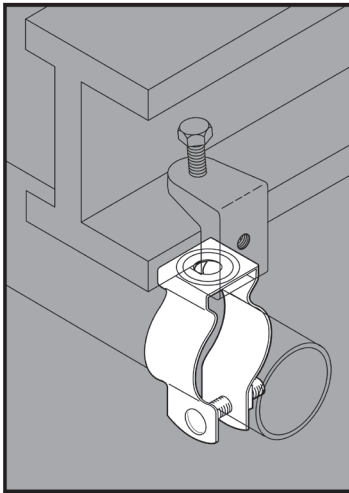


# STAINLESS STEEL CONDUIT HANGERS



## APPLICATION

- Designed to be used in conjunction with threaded rod, beam clamps, etc. to suspend rigid (heavywall) conduit from I-beams, flanges, etc.
- Supplied complete with Type 316 SS bolt and Type 316 SS nut
  - Sizes ½" – 2" supplied with slotted machine screw and nut
  - 2-½", 3" and 4" supplied with carriage bolt and nut
- Manufactured in stainless steel to help prevent corrosion
- Can be installed using ordinary hand tools and require little maintenance or repair
- Provided in a bright, polished finish that does not require touch up or painting



## PRODUCT DETAILS

**Material:**  
316 SS

**Standards:**  
ASTM A240, ASTM F593

**Country of Origin:**  
Body 100% Made in USA; nut and bolt may or may not be of U.S. origin

Part Number	Conduit Size	Weight/ 100 (lbs.)	Dimension (in.)				
			A	B	C	D	E
6050	½ in.	7	0.25	0.75	1.90	0.28	0.05
6075	¾ in.	8	0.25	0.88	2.10	0.28	0.05
6100	1 in.	9	0.25	0.88	2.40	0.28	0.05
6125	1-¼ in.	11	0.25	0.88	2.80	0.28	0.05
6150	1-½ in.	17	0.31	1.00	3.25	0.28	0.06
6200	2 in.	23	0.31	1.25	3.75	0.28	0.06
6250	2-½ in.	33	0.38	1.13	4.63	0.31	0.08
6300	3 in.	38	0.38	1.19	5.50	0.31	0.08
6400	4 in.	48	0.38	1.25	6.25	0.31	0.08



© 2015 GIBSON STAINLESS & SPECIALTY, INC. - REV 12/2015

PO BOX 847, GREENSBURG, PA 15601  
PHONE: 1-800-945-4316 • FAX: 724-838-1544

WEB: GIBSONSTAINLESS.COM